



vortice.com

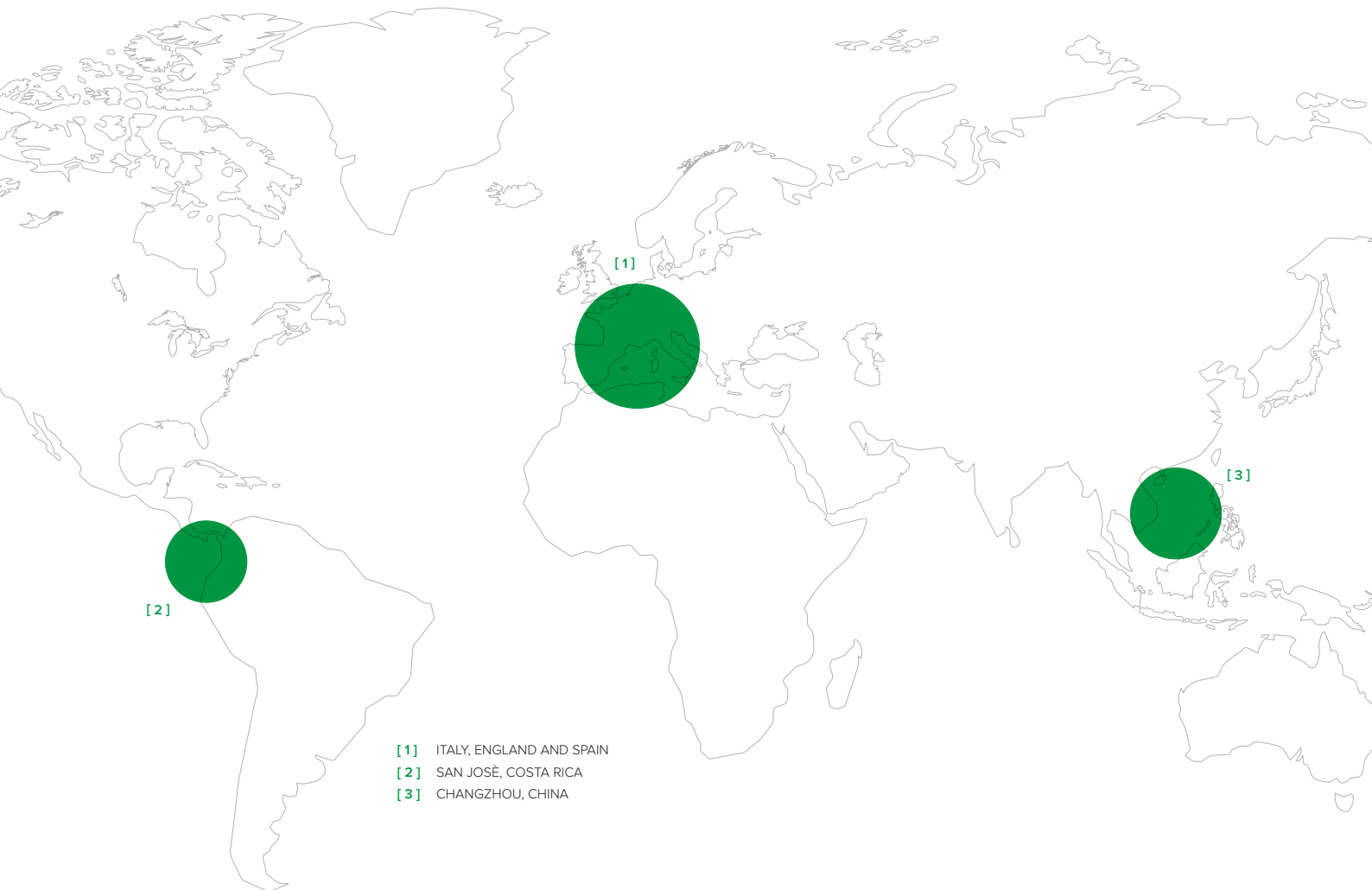


AIR TREATMENT



DEUMIDO EVO RANGE

NEW



- [1] ITALY, ENGLAND AND SPAIN
- [2] SAN JOSÈ, COSTA RICA
- [3] CHANGZHOU, CHINA



Vortice Headquarters

Today **VORTICE S.p.A.** is part of a multinational group, **VORTICE GROUP**, which operates through its own companies or local distributors in over 90 countries worldwide and has a rich portfolio of products that guarantee air quality and climate comfort. The historical headquarters of **VORTICE S.p.A.** are in Tribiano (Milan).

The **VORTICE GROUP** also includes:



- 1** **VORTICE UK Ltd**, English branch opened in 1977 based in Burton on Trent.
- 2** **VORTICE INDUSTRIAL**, born from the acquisition in 2010 of Loran srl, based in Isola della Scala (VR).
- 3** **CASALS** historic Spanish brand of VENTILACIÓN INDUSTRIAL IND. S.L., based in Sant Joan de les Abadesses Girona, acquired in 2019.

- 4** **VORTICE Ventilation System**, company inaugurated in 2013 with headquarters in Changzhou, China.
- 5** **VORTICE Latam**, based in San José, Costa Rica, established in 2012.

INDEX

NEW
**DEUMIDO
10-14 EVO**
page 6

NEW
**DEUMIDO
20 EVO**
page 8



LEGAL REFERENCES

The products of the Deumido EVO RANGE are compliant to the following European Directives and Regulations:

- RoHS Directive (2011/65/EU)
- Low Voltage Directive 2014/35/EU
- Electromagnetic Compatibility Directive 2014/30/EU
- European Regulation No. 517/2014

CERTIFICATIONS

The safety of the Deumido EVO RANGE products is GS INTERTEK certified.



DEUMIDO EVO RANGE

PORTABLE DEHUMIDIFIERS

Portable dehumidifiers with electronic controls, which use the **R290 ecological gas** with low environmental footprint characterised by GWP - Global Warning Potential - that is near zero; thus, they do not contribute to the ongoing global warming.

With different size, weight and performance, our dehumidifiers can meet a wide range of needs that are typical of household and commercial applications.

- The use of the **DEUMIDO EVO RANGE** allows to **fix the problem of high humidity in domestic environments**, restoring the ideal conditions in the premises for the well-being of people and the preservation of goods.
- Moist air is drawn into the **DEUMIDO EVO** through the anti-dust filter and the activated charcoal filter retaining bad smells. Then, it passes through the evaporator, where excess humidity condenses and is collected in an underlying tank. Finally, air passes through a condenser, regaining its original temperature and thus exiting the product at optimal thermohygrometric conditions.

The number identifying the product corresponds to condensation litres that can be removed in 24 hours of continuous operation at standard conditions of 30°C / 80% u.r.

DEUMIDO 20 EVO code 26027

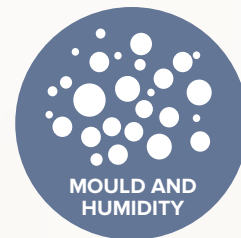


DEUMIDO 10 EVO code 26025

DEUMIDO 14 EVO code 26026



THE use of a DEUMIDO allows to keep humidity level in the environment under control and thus prevent the onset of allergies, moulds growth and the proliferation of mites and bacteria.





DEUMIDO EVO RANGE

PORTABLE DEHUMIDIFIERS

DEUMIDO 10 - 14 EVO

- Case in white impact-resistant glossy resin (ABS).
- Translucent ABS **tank, to facilitate a quick reading** of the water filling level, with a capacity of 2.5 litres.
- Antifreeze **thermostat, to prevent ice formation** inside the device.
- The washable air **filter purifies the treated air** of the impurities present in the environment. The activated charcoal filter **eliminates bad smells**.
- Efficient and silent centrifugal fan.
- Efficient and silent **rotating compressor, with integrated protection device** which delays its restart by 3 minutes after each stop.
- **Highly efficient heat exchanger**, with water-repellent aluminium wings, which allows for the removal of large amounts of humidity from the environment with small overall dimensions.
- An ergonomic and intuitive **electronic control panel**, located in correspondence with the upper part of the product, **allows for an easy and intuitive control by the user**.



Dried air is sent upwards, in order to facilitate the drying of cloths hung above the product.

Easily transportable thanks to a pair of handles and 4 wheels that allow for an easier movement of the product, even when the tank is full.



Low energy consumption.



Small dimensions and weight.



Tank capacity 2.5 litres.

CONTROL PANEL

Selection of the desired humidity rate in the environment (40%, 50%, 60%, 70%); it also allows to set the continuous operation mode (CNT).

Led light signaling a full tank

On/Off

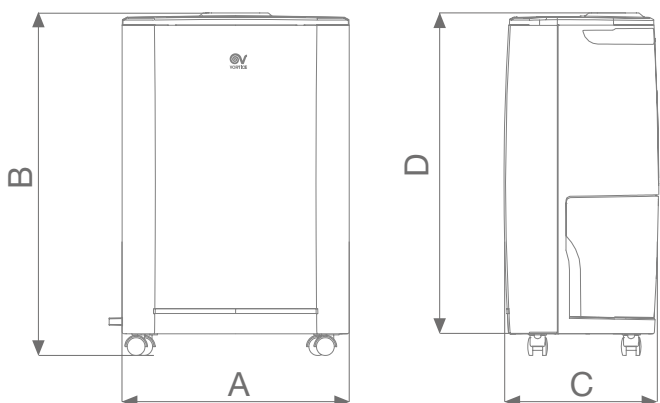
Delayed turn off timer: the delay can be set up to 15 hours.

TECHNICAL DATA

| PRODUCT | CODE | V~50Hz | W max | A max | MAX CAPACITY (m ³ /h) | Lp DB(A)* 1m | WORK TEMP °C | HUMIDITY REMOVED l/day | REFRIGERATING GAS CHARGE g | CAPACITY TANK L | WEIGHT Kg |
|----------------|-------|---------|-------|-------|----------------------------------|--------------|--------------|------------------------|----------------------------|-----------------|-----------|
| DEUMIDO 10 EVO | 26025 | 220-240 | 290 | 1.5 | 130 | 42.2 | 5°:32° | 10 | 35 | 2.5 | 10.5 |
| DEUMIDO 14 EVO | 26026 | 220-240 | 280 | 1.4 | 130 | 42 | 5°:32° | 14 | 65 | 2.5 | 10.9 |

Ambient temperature T 30°C - Relative humidity of the environment 80%.

DIMENSIONS



| PRODUCT | A | B | C | D |
|----------------|-----|-----|-----|-----|
| DEUMIDO 10 EVO | 300 | 452 | 204 | 425 |
| DEUMIDO 14 EVO | 300 | 452 | 204 | 425 |

Dimensions in mm



DEUMIDO EVO RANGE

PORTABLE DEHUMIDIFIERS

DEUMIDO 20 EVO

- Cases in white impact-resistant glossy resin (ABS).
- Translucent ABS **tank, to facilitate a quick reading** of the water filling level, with a capacity of 3 litres.
- Antifreeze **thermostat, to prevent ice formation** inside the device.
- The washable air **filter purifies the treated air** of the impurities present in the environment. The activated charcoal filter **eliminates bad smells**.
- Efficient and silent **centrifugal fan, with double operating speed**.
- Efficient and silent **rotating compressor, with integrated protection device** which delays its restart by 3 minutes after each stop.
- **Highly efficient heat exchanger**, with water-repellent aluminium wings, which allows for the removal of large amounts of humidity in the environment with small overall dimensions.
- An ergonomic and intuitive **electronic control panel**, located in correspondence with the upper part of the product, **allows for an easy and intuitive control by the user**. The panel includes a **multifunctional display** showing a set humidity limit, humidity concentration in the room, ambient temperature, set fan operating speed and TIMER duration.



Dried air is sent upwards, in order to facilitate the drying of cloths hung above the product.



Low energy consumption.



Small dimensions and weight.



Tank capacity 3 litres.

Easily transportable thanks to a pair of handles and 4 wheels that allow for an easier movement of the product, even when the tank is full.



CONTROL PANEL

Selection of the desired humidity rate in the environment (40%, 50%, 60%, 70%); it also allows to set the continuous operation mode (CNT).

Selection of fan speed.

TURBO feature: it increases the dehumidification speed.

Display information

Room temperature and relative humidity in the room.

Circulating air filter (it lights up when the filter is saturated).

Led light signaling a full tank.

On/Off

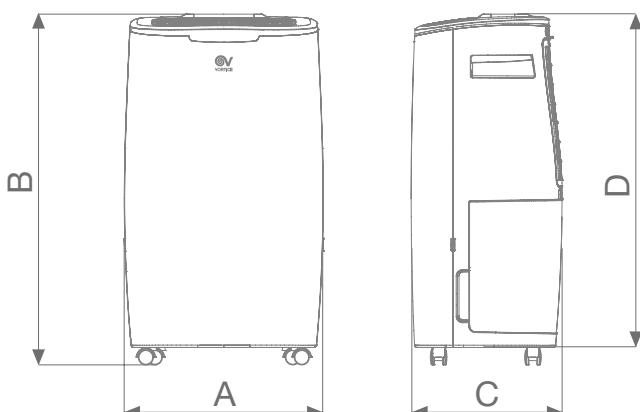
Delayed turn off timer: the delay can be set up to 24 hours.

TECHNICAL DATA

| PRODUCT | CODE | V~50Hz | W max | A max | MAX CAPACITY (m³/h) | Lp DB(A)* 1m | WORK TEMP °C | HUMIDITY REMOVED l/day | REFRIGERATING GAS CHARGE g | CAPACITY TANK L | WEIGHT Kg |
|----------------|-------|---------|-------|-------|---------------------|--------------|--------------|------------------------|----------------------------|-----------------|-----------|
| DEUMIDO 20 EVO | 26027 | 220-240 | 390 | 2.2 | 160 | 45.8 | 5°:32° | 20 | 70 | 3 | 13.5 |

Ambient temperature T 30°C - Relative humidity of the environment 80%.

DIMENSIONS



| PRODUCT | A | B | C | D |
|----------------|-----|-----|-----|-----|
| DEUMIDO 20 EVO | 310 | 547 | 236 | 523 |



Dimensions in mm



DEUMIDO EVO RANGE

PORTABLE DEHUMIDIFIERS

ACCESSORIES

| | DESCRIPTION | CODE | DEUMIDO 10 - 14 EVO code 26025 - 26026 | DEUMIDO 20 EVO code 26027 |
|---|---------------------------|-------|--|---------------------------------|
|  | ACTIVATED CHARCOAL FILTER | 21018 | ✓ | |
|  | ACTIVATED CHARCOAL FILTER | 21019 | | ✓ |





VORTICE S.p.A
Strada Cerca, 2
Frazione di Zoate
20067 Tribiano
(Milan) Italy
Tel. (+39) 02 906991
Fax (+39) 02 90699625
vortice.com

VORTICE Limited
Beeches House-Eastern
Avenue Burton on Trent
DE13 0BB United Kingdom
Tel. (+44) 1283-49.29.49
Fax (+44) 1283-54.41.21
vortice.ltd.uk

VORTICE Industrial S.R.L.
Via B. Brugnoli 3,
37063 Isola della Scala
(Verona) Italy
Tel. (+39) 045 6631042
Fax (+39) 045 6631039
vorticeindustrial.com

**Ventilación Industrial ind.,
S.L.**
Ctra. Camprodon, s/n 17860
Sant Joan de les Abadesses
(Girona) Spain
Tel. (+34) 972720150
casals.com

VORTICE Latam S.A.
3er Piso, Oficina 9-B
Edificio Meridiano
Guachipelín,
Escazú San José Costa Rica
PO Box 10-1251
Tel. (+506) 2201.6219
Fax (+506) 2201.6239
vortice-latam.com

**VORTICE Ventilation System
(Changzhou) Co.LTD**
No. 388 West Huanghe Road
Building 19, Changzhou
Post Code: 213000 China
Tel. (+86) 0519 88990150
Fax (+86) 0519 88990151
vortice-china.com

The descriptions and illustrations in this catalog are intended as a simple indication and are not binding. Without prejudice to the essential characteristics of the products described and illustrated here, Vortice reserves the right to make, at any time and without notice, any changes to parts, aesthetic details or supply of accessories to its products that are deemed to be appropriate for improvement or for any construction or commercial requirement.

This printout completely cancels and replaces all previous ones.

code 5.170.084.518 - January 2020